

PEAK-PERFORMANCE  
**PRODUCT  
CATALOG**



**RIBBONS  
& LABELS**

Effective Date: Ink/Ribbon Nov 1 & Labels Nov 15, 2021



# CONTENT

## PEAK PERFORMANCE LABELS

- Thermal Transfer - Standard Rolls .....3
- Thermal Transfer - Standard Fanfold .....5
- Thermal Transfer - PMS Floodcoated Rolls.....5
- Thermal Transfer - Fluorescent Floodcoated Rolls.....6
- Thermal Transfer - PMS Floodcoated Fanfold .....6
- Thermal Transfer - 1" Cores .....7
- Thermal Transfer - Special Rolls .....7
- Direct Thermal - Standard Rolls .....8
- Direct Thermal - Standard Fanfold .....8
- Direct Thermal - Premium Rolls .....9
- Direct Thermal - Premium Fanfold .....9
- Direct Thermal - Mobile Media 3/4" Cores .....9
- Direct Thermal - Mobile Media 1" Cores .....10
- Laser Sheets .....11
- Integrated Sheets .....12

## PEAK PERFORMANCE RIBBONS

- Performance General Purpose Wax .....13
- Performance General Purpose Premium Wax.....14
- Performance General Purpose Premium Color Wax.....16
- Performance Premium Wax-Resin.....16
- Performance Premium Near Edge Color Wax/Resin .....17
- Performance Ultra Premium Wax-Resin .....18
- Performance Ultra Premium Resin .....18
- Performance Ultra Extreme Resin .....19

## THERMAL TRANSFER - STANDARD ROLLS

Standard bright white smooth top-coated sheet, permanent acrylic adhesive

PPL Part Number	W (in)	L (in)	Rolls Per Case	Labels/Roll (or Sheet)	Weight per Case (lbs)	Description	Extended Description
PPL1510PTTR38062	1.5	1.0	6	11000	26.00	Roll, Perf, 2 Across, 3" Core, 8" OD	1.5" X 1" THERMAL TRANSFER
PPL1510PTTR38140	1.5	1.0	14	5500	26.00	Roll, Perf, 1 Across, 3" Core, 8" OD	1.5" X 1" THERMAL TRANSFER
PPL2010PTTR38080	2.0	1.0	8	5500	22.00	Roll, Perf, 1 Across, 3" Core, 8" OD	2" X 1" THERMAL TRANSFER
PPL2010PTTR38042	2.0	1.0	4	11000	22.00	Roll, Perf, 2 Across, 3" Core, 8" OD	2" X 1" THERMAL TRANSFER
PPL2010NTTR38080	2.0	1.0	8	5500	22.00	Roll, No-Perf, 1 Across, 3" Core, 8" OD	2" X 1" THERMAL TRANSFER
PPL2015PTTR38080	2.0	1.5	8	3500	21.00	Roll, Perf, 1 Across, 3" Core, 8" OD	2" X 1.5" THERMAL TRANSFER
PPL2015PTTR38042	2.0	1.5	4	7000	22.00	Roll, Perf, 2 Across, 3" Core, 8" OD	2" X 1.5" THERMAL TRANSFER
PPL2020PTTR38080	2.0	2.0	8	3000	23.00	Roll, Perf, 1 Across, 3" Core, 8" OD	2" X 2" THERMAL TRANSFER
PPL2020PTTR38042	2.0	2.0	4	6000	23.00	Roll, Perf, 2 Across, 3" Core, 8" OD	2" X 2" THERMAL TRANSFER
PPL3010PTTR38080	3.0	1.0	8	5500	35.00	Roll, Perf, 1 Across, 3" Core, 8" OD	3" X 1" THERMAL TRANSFER
PPL3010NTTR38080	3.0	1.0	8	5500	35.00	Roll, No-Perf, 1 Across, 3" Core, 8" OD	3" X 1" THERMAL TRANSFER
PPL3020PTTR38080	3.0	2.0	8	3000	35.00	Roll, Perf, 1 Across, 3" Core, 8" OD	3" X 2" THERMAL TRANSFER
PPL3020NTTR38080	3.0	2.0	8	3000	35.00	Roll, No-Perf, 1 Across, 3" Core, 8" OD	3" X 2" THERMAL TRANSFER
PPL3030PTTR38080	3.0	3.0	8	2000	36.00	Roll, Perf, 1 Across, 3" Core, 8" OD	3" X 3" THERMAL TRANSFER
PPL3040PTTR38080	3.0	4.0	8	1500	34.00	Roll, Perf, 1 Across, 3" Core, 8" OD	3" X 4" THERMAL TRANSFER
PPL3050PTTR38080	3.0	5.0	8	1200	34.00	Roll, Perf, 1 Across, 3" Core, 8" OD	3" X 5" THERMAL TRANSFER
PPL3050NTTR38080	3.0	5.0	8	1200	34.00	Roll, No-Perf, 1 Across, 3" Core, 8" OD	3" X 5" THERMAL TRANSFER
PPL3510PTTR38040	3.5	1.0	4	5500	20.00	Roll, Perf, 1 Across, 3" Core, 8" OD	3.5" X 1" THERMAL TRANSFER
PPL3580PTTR38040	3.5	8.0	4	750	20.00	Roll, Perf, 1 Across, 3" Core, 8" OD	3.5" X 8" THERMAL TRANSFER
PPL4010PTTR38040	4.0	1.0	4	5500	22.00	Roll, Perf, 1 Across, 3" Core, 8" OD	4" X 1" THERMAL TRANSFER
PPL4010NTTR38040	4.0	1.0	4	5500	22.00	Roll, No-Perf, 1 Across, 3" Core, 8" OD	4" X 1" THERMAL TRANSFER
PPL4015PTTR38040	4.0	1.5	4	3500	24.00	Roll, Perf, 1 Across, 3" Core, 8" OD	4" X 1.5" THERMAL TRANSFER
PPL4020PTTR38040	4.0	2.0	4	3000	24.00	Roll, Perf, 1 Across, 3" Core, 8" OD	4" X 2" THERMAL TRANSFER
PPL4020NTTR38040	4.0	2.0	4	3000	24.00	Roll, No-Perf, 1 Across, 3" Core, 8" OD	4" X 2" THERMAL TRANSFER
PPL4025PTTR38040	4.0	2.5	4	2400	24.00	Roll, Perf, 1 Across, 3" Core, 8" OD	4" X 2.5" THERMAL TRANSFER
PPL4030PTTR38040	4.0	3.0	4	2000	24.00	Roll, Perf, 1 Across, 3" Core, 8" OD	4" X 3" THERMAL TRANSFER
PPL4030NTTR38040	4.0	3.0	4	2000	24.00	Roll, No-Perf, 1 Across, 3" Core, 8" OD	4" X 3" THERMAL TRANSFER
PPL4040PTTR38040	4.0	4.0	4	1500	24.00	Roll, Perf, 1 Across, 3" Core, 8" OD	4" X 4" THERMAL TRANSFER
PPL4040NTTR38040	4.0	4.0	4	1500	24.00	Roll, No-Perf, 1 Across, 3" Core, 8" OD	4" X 4" THERMAL TRANSFER
PPL4050PTTR38040	4.0	5.0	4	1200	24.00	Roll, Perf, 1 Across, 3" Core, 8" OD	4" X 5" THERMAL TRANSFER

 Top Sellers

## THERMAL TRANSFER - STANDARD ROLLS (CONT.)

Standard bright white smooth top-coated sheet, permanent acrylic adhesive

PPL Part Number	W (in)	L (in)	Rolls Per Case	Labels/Roll (or Sheet)	Weight per Case (lbs)	Description	Extended Description
PPL4050NTTR38040	4.0	5.0	4	1200	24.00	Roll, No-Perf, 1 Across, 3" Core, 8" OD	4" X 5" THERMAL TRANSFER
PPL4060PTTR3804K	4.0	6.0	4	1000	24.00	Roll, Perf, 1 Across, 3" Core, 8" OD	4" X 6" THERMAL TRANSFER NATURAL KRAFT LINER
PPL4060PTTR38040	4.0	6.0	4	1000	24.00	Roll, Perf, 1 Across, 3" Core, 8" OD	4" X 6" THERMAL TRANSFER
PPL4060NTTR3804K	4.0	6.0	4	1000	24.00	Roll, No-Perf, 1 Across, 3" Core, 8" OD	4" X 6" THERMAL TRANSFER NATURAL KRAFT LINER
PPL4060NTTR38040	4.0	6.0	4	1000	24.00	Roll, No-Perf, 1 Across, 3" Core, 8" OD	4" X 6" THERMAL TRANSFER
PPL4065PTTR38040	4.0	6.5	4	1000	25.00	Roll, Perf, 1 Across, 3" Core, 8" OD	4" X 6.5" THERMAL TRANSFER
PPL4065NTTR38040	4.0	6.5	4	1000	25.00	Roll, No-Perf, 1 Across, 3" Core, 8" OD	4" X 6.5" THERMAL TRANSFER
PPL4080PTTR38040	4.0	8.0	4	750	23.00	Roll, Perf, 1 Across, 3" Core, 8" OD	4" X 8" THERMAL TRANSFER
PPL4080NTTR38040	4.0	8.0	4	750	23.00	Roll, No-Perf, 1 Across, 3" Core, 8" OD	4" X 8" THERMAL TRANSFER
PPL40X0PTTR38040	4.0	10.0	4	700	29.00	Roll, Perf, 1 Across, 3" Core, 8" OD	4" X 10" THERMAL TRANSFER
PPL40X2PTTR38040	4.0	12.0	4	500	23.00	Roll, Perf, 1 Across, 3" Core, 8" OD	4" X 12" THERMAL TRANSFER
PPL40X3PTTR38040	4.0	13.0	4	500	25.00	Roll, Perf, 1 Across, 3" Core, 8" OD	4" X 13" THERMAL TRANSFER
PPL5030PTTR38040	5.0	3.0	4	2000	30.00	Roll, Perf, 1 Across, 3" Core, 8" OD	5" X 3" THERMAL TRANSFER
PPL5040PTTR38040	5.0	4.0	4	1500	30.00	Roll, Perf, 1 Across, 3" Core, 8" OD	5" X 4" THERMAL TRANSFER
PPL6040PTTR38040	6.0	4.0	4	1500	35.00	Roll, Perf, 1 Across, 3" Core, 8" OD	6" X 4" THERMAL TRANSFER
PPL6080PTTR38040	6.0	8.0	4	750	30.00	Roll, Perf, 1 Across, 3" Core, 8" OD	6" X 8" THERMAL TRANSFER

 Top Sellers











## THERMAL TRANSFER - STANDARD FANFOLD

Standard bright white smooth top-coated sheet, permanent acrylic adhesive

PPL Part Number	W (in)	L (in)	Rolls Per Case	Labels/Roll (or Sheet)	Weight per Case (lbs)	Description	Extended Description
PPL4020PTTF00020	4.0	2.0	2	6000	23.00	Fanfold, 6LPP, 1 Across	4" X 2" THERMAL TRANSFER FANFOLD
PPL4030PTTF00020	4.0	3.0	2	4000	23.00	Fanfold, 4LPP, 1 Across	4" X 3" THERMAL TRANSFER FANFOLD
PPL4040PTTF00020	4.0	4.0	2	2000	23.00	Fanfold, 2LPP, 1 Across	4" X 4" THERMAL TRANSFER FANFOLD
PPL4060PTTF0002K	4.0	6.0	2	2000	23.00	Fanfold, 2LPP, 1 Across	4" X 6" THERMAL TRANSFER NATURAL KRAFT LINER FAN FOLD
PPL4060PTTF00020	4.0	6.0	2	2000	23.00	Fanfold, 2LPP, 1 Across	4" X 6" THERMAL TRANSFER FANFOLD
PPL4065PTTF00020	4.0	6.5	2	2000	25.00	Fanfold, 2LPP, 1 Across	4" X 6.5" THERMAL TRANSFER FANFOLD
PPL4080PTTF00020	4.0	8.0	2	1000	15.00	Fanfold, 1LPP, 1 Across	4" X 8" THERMAL TRANSFER FANFOLD
PPL6040PTTF00010	6.0	4.0	1	3000	17.00	Fanfold, 3LPP, 1 Across	6" X 4" THERMAL TRANSFER FANFOLD

## THERMAL TRANSFER - PMS FLOODCOATED ROLLS



Standard smooth top-coated sheet, permanent acrylic adhesive

PPL Part Number	W (in)	L (in)	Rolls Per Case	Labels/Roll (or Sheet)	Weight per Case (lbs)	Description	Extended Description
PPL4030PTTR3804Y	4.0	3.0	4	2000	24.00	Roll, Perf, 1 Across, 3" Core, 8" OD	4" X 3" THERMAL TRANSFER PMS YELLOW 
PPL4030PTTR3804B	4.0	3.0	4	2000	24.00	Roll, Perf, 1 Across, 3" Core, 8" OD	4" X 3" THERMAL TRANSFER BLUE #290 
PPL4060PTTR3804Y	4.0	6.0	4	1000	24.00	Roll, Perf, 1 Across, 3" Core, 8" OD	4" X 6" THERMAL TRANSFER PANTONE YELLOW
PPL4060PTTR3804T	4.0	6.0	4	1000	24.00	Roll, Perf, 1 Across, 3" Core, 8" OD	4" X 6" THERMAL TRANSFER TAN #726 
PPL4060PTTR3804R	4.0	6.0	4	1000	24.00	Roll, Perf, 1 Across, 3" Core, 8" OD	4" X 6" THERMAL TRANSFER RED #185 
PPL4060PTTR3804U	4.0	6.0	4	1000	24.00	Roll, Perf, 1 Across, 3" Core, 8" OD	4" X 6" THERMAL TRANSFER PURPLE #2635 
PPL4060PTTR3804P	4.0	6.0	4	1000	24.00	Roll, Perf, 1 Across, 3" Core, 8" OD	4" X 6" THERMAL TRANSFER PINK #1767 
PPL4060PTTR3804O	4.0	6.0	4	1000	24.00	Roll, Perf, 1 Across, 3" Core, 8" OD	4" X 6" THERMAL TRANSFER ORANGE #1495 
PPL4060PTTR3804L	4.0	6.0	4	1000	24.00	Roll, Perf, 1 Across, 3" Core, 8" OD	4" X 6" THERMAL TRANSFER LT YELLOW #100 
PPL4060PTTR3804G	4.0	6.0	4	1000	24.00	Roll, Perf, 1 Across, 3" Core, 8" OD	4" X 6" THERMAL TRANSFER GREEN #345 
PPL4060PTTR3804B	4.0	6.0	4	1000	24.00	Roll, Perf, 1 Across, 3" Core, 8" OD	4" X 6" THERMAL TRANSFER BLUE #290 

 Top Sellers

## THERMAL TRANSFER - FLUORESCENT FLOODCOATED ROLLS

Standard smooth top-coated sheet, permanent acrylic adhesive

PPL Part Number	W (in)	L (in)	Rolls Per Case	Labels/Roll (or Sheet)	Weight per Case (lbs)	Description	Extended Description
PPL4030PTTR3804V	4.0	3.0	4	2000	24.00	Roll, Perf, 1 Across, 3" Core, 8" OD	4" X 3" THERMAL TRANSFER FL PINK #806 
PPL4030PTTR3804D	4.0	3.0	4	2000	24.00	Roll, Perf, 1 Across, 3" Core, 8" OD	4" X 3" THERMAL TRANSFER FL ORANGE #804 
PPL4030PTTR3804Q	4.0	3.0	4	2000	24.00	Roll, Perf, 1 Across, 3" Core, 8" OD	4" X 3" THERMAL TRANSFER FL GREEN #802 
PPL4060PTTR3804V	4.0	6.0	4	1000	24.00	Roll, Perf, 1 Across, 3" Core, 8" OD	4" X 6" THERMAL TRANSFER FL PINK #806 
PPL4060PTTR3804D	4.0	6.0	4	1000	24.00	Roll, Perf, 1 Across, 3" Core, 8" OD	4" X 6" THERMAL TRANSFER FL ORANGE #804 
PPL4060PTTR3804Q	4.0	6.0	4	1000	24.00	Roll, Perf, 1 Across, 3" Core, 8" OD	4" X 6" THERMAL TRANSFER FL GREEN #802 
PPL4060PTTR3804C	4.0	6.0	4	1000	24.00	Roll, Perf, 1 Across, 3" Core, 8" OD	4" X 6" THERMAL TRANSFER FL BLUE #801 
PPL4060PTTR3804E	4.0	6.0	4	1000	24.00	Roll, Perf, 1 Across, 3" Core, 8" OD	4" X 6" THERMAL TRANSFER FL RED #805 

## THERMAL TRANSFER - PMS FLOODCOATED FANFOLD

Standard smooth top-coated sheet, permanent acrylic adhesive

PPL Part Number	W (in)	L (in)	Rolls Per Case	Labels/Roll (or Sheet)	Weight per Case (lbs)	Description	Extended Description
PPL4060PTTF0002Y	4.0	6.0	2	2000	21.00	Fanfold, 2LPP, 1 Across	4" X 6" THERMAL TRANSFER FANFOLD FLOOD PANTONE YELLOW 
PPL4060PTTF0002P	4.0	6.0	2	2000	21.00	Fanfold, 2LPP, 1 Across	4" X 6" THERMAL TRANSFER FANFOLD FLOOD PMS 1767 PINK 
PPL4060PTTF0002O	4.0	6.0	2	2000	21.00	Fanfold, 2LPP, 1 Across	4" X 6" THERMAL TRANSFER FANFOLD FLOOD PMS 1495 ORANGE 
PPL4060PTTF0002G	4.0	6.0	2	2000	21.00	Fanfold, 2LPP, 1 Across	4" X 6" THERMAL TRANSFER FANFOLD FLOOD PMS 345 GREEN 
PPL4060PTTF0002B	4.0	6.0	2	2000	21.00	Fanfold, 2LPP, 1 Across	4" X 6" THERMAL TRANSFER FANFOLD FLOOD PMS 290 BLUE 

## THERMAL TRANSFER - 1" CORES

Standard bright white smooth top-coated sheet, permanent acrylic adhesive

PPL Part Number	W (in)	L (in)	Rolls Per Case	Labels/Roll (or Sheet)	Weight per Case (lbs)	Description	Extended Description
PPL3010PTTR14320	3.0	1.0	32	1375	24.00	Roll, Perf, 1 Across, 1" Core, 4" OD	3" X 1" THERMAL TRANSFER
PPL3020PTTR15080	3.0	2.0	8	1500	20.00	Roll, Perf, 1 Across, 1" Core, 5" OD	3" X 2" THERMAL TRANSFER
PPL4020PTTR15080	4.0	2.0	8	1300	20.00	Roll, Perf, 1 Across, 1" Core, 5" OD	4" X 2" THERMAL TRANSFER
PPL4020PTTR14160	4.0	2.0	16	750	24.00	Roll, Perf, 1 Across, 1" Core, 4" OD	4" X 2" THERMAL TRANSFER
PPL4030PTTR15080	4.0	3.0	8	1000	24.00	Roll, Perf, 1 Across, 1" Core, 5" OD	4" X 3" THERMAL TRANSFER
PPL4030PTTR14160	4.0	3.0	16	500	24.00	Roll, Perf, 1 Across, 1" Core, 4" OD	4" X 3" THERMAL TRANSFER
PPL4040PTTR15080	4.0	4.0	8	750	24.00	Roll, Perf, 1 Across, 1" Core, 5" OD	4" X 4" THERMAL TRANSFER
PPL4060PTTR14160	4.0	6.0	16	250	24.00	Roll, Perf, 1 Across, 1" Core, 4" OD	4" X 6" THERMAL TRANSFER

## THERMAL TRANSFER - SPECIAL ROLLS

Standard bright white smooth top-coated sheet, permanent acrylic adhesive

PPL Part Number	W (in)	L (in)	Rolls Per Case	Labels/Roll (or Sheet)	Weight per Case (lbs)	Description	Extended Description
PPL4060PTTR3804X	4.0	6.0	4	1000	24.00	Roll, Perf, 1 Across, 3" Core, 8" OD	4" X 6" THERMAL TRANSFER REMOVEABLE
PPL4060ITTR38040	4.0	6.0	4	1000	24.00	Roll, Perf, 1 Across, 3" Core, 8" OD	4" X 6" THERMAL TRANSFER WOUND IN
PPL4060NTTR3X020	4.0	6.0	2	2500	29.00	Roll, No-Perf, 1 Across, 3" Core, 12" OD	4" X 6" THERMAL TRANSFER

## DIRECT THERMAL - STANDARD ROLLS

Uncoated medium sensitivity sheet, permanent acrylic adhesive

PPL Part Number	W (in)	L (in)	Rolls Per Case	Labels/Roll (or Sheet)	Weight per Case (lbs)	Description	Extended Description
PPL2010PDSR38080	2.0	1.0	8	5500	22.00	Roll, Perf, 1 Across, 3" Core, 8" OD	2" X 1" DIRECTTHERMAL STANDARD
PPL3010PDSR38080	3.0	1.0	8	5500	27.00	Roll, Perf, 1 Across, 3" Core, 8" OD	3" X 1" DIRECTTHERMAL STANDARD
PPL3020PDSR38080	3.0	2.0	8	3000	36.00	Roll, Perf, 1 Across, 3" Core, 8" OD	3" X 2" DIRECTTHERMAL STANDARD
PPL3050PDSR38080	3.0	5.0	8	1200	36.00	Roll, Perf, 1 Across, 3" Core, 8" OD	3" X 5" DIRECTTHERMAL STANDARD
PPL4020PDSR38040	4.0	2.0	4	3000	24.00	Roll, Perf, 1 Across, 3" Core, 8" OD	4" X 2" DIRECTTHERMAL STANDARD
PPL4025PDSR38040	4.0	2.5	4	2500	24.00	Roll, Perf, 1 Across, 3" Core, 8" OD	4" X 2.5" DIRECTTHERMAL STANDARD
PPL4030PDSR38040	4.0	3.0	4	2000	24.00	Roll, Perf, 1 Across, 3" Core, 8" OD	4" X 3" DIRECTTHERMAL STANDARD
PPL4040PDSR38040	4.0	4.0	4	1500	24.00	Roll, Perf, 1 Across, 3" Core, 8" OD	4" X 4" DIRECTTHERMAL STANDARD
PPL4060PDSR38040	4.0	6.0	4	1000	24.00	Roll, Perf, 1 Across, 3" Core, 8" OD	4" X 6" DIRECTTHERMAL STANDARD
PPL4060NDSR38040	4.0	6.0	4	1000	24.00	Roll, No-Perf, 1 Across, 3" Core, 8" OD	4" X 6" DIRECTTHERMAL STANDARD
PPL4065PDSR38040	4.0	6.5	4	1000	26.00	Roll, Perf, 1 Across, 3" Core, 8" OD	4" X 6.5" DIRECTTHERMAL STANDARD
PPL4080PDSR38040	4.0	8.0	4	750	23.00	Roll, Perf, 1 Across, 3" Core, 8" OD	4" X 8" DIRECTTHERMAL STANDARD

## DIRECT THERMAL - STANDARD FANFOLD

Uncoated medium sensitivity sheet, permanent acrylic adhesive

PPL Part Number	W (in)	L (in)	Rolls Per Case	Labels/Roll (or Sheet)	Weight per Case (lbs)	Description	Extended Description
PPL4020PDSF00020	4.0	2.0	2	6000	23.00	Fanfold, 6LPP, 1 Across	4" X 2" DIRECTTHERMAL STANDARD FANFOLD
PPL4030PDSF00020	4.0	3.0	2	4000	24.00	Fanfold, 4LPP, 1 Across	4" X 3" DIRECTTHERMAL STANDARD FANFOLD
PPL4040PDSF00020	4.0	4.0	2	3000	24.00	Fanfold, 3LPP, 1 Across	4" X 4" DIRECTTHERMAL STANDARD FANFOLD
PPL4060PDSF00020	4.0	6.0	2	2000	24.00	Fanfold, 2LPP, 1 Across	4" X 6" DIRECTTHERMAL STANDARD FANFOLD

 Top Sellers



## DIRECT THERMAL - PREMIUM ROLLS

Top-coated medium sensitivity sheet, freezer grade permanent acrylic adhesive

PPL Part Number	W (in)	L (in)	Rolls Per Case	Labels/Roll (or Sheet)	Weight per Case (lbs)	Description	Extended Description
PPL4020PDPR38040	4.0	2.0	4	3000	24.00	Roll, Perf, 1 Across, 3" Core, 8" OD	4" X 2" DIRECT THERMAL PREMIUM
PPL4060PDPR38040	4.0	6.0	4	1000	24.00	Roll, Perf, 1 Across, 3" Core, 8" OD	4" X 6" DIRECT THERMAL PREMIUM
PPL4060NDPR38040	4.0	6.0	4	1000	24.00	Roll, No-Perf, 1 Across, 3" Core, 8" OD	4" X 6" DIRECT THERMAL PREMIUM
PPL4065PDPR38040	4.0	6.5	4	1000	26.00	Roll, Perf, 1 Across, 3" Core, 8" OD	4" X 6.5" DIRECT THERMAL PREMIUM

## DIRECT THERMAL - PREMIUM FANFOLD

Top-coated medium sensitivity sheet, freezer grade permanent acrylic adhesive

PPL Part Number	W (in)	L (in)	Rolls Per Case	Labels/Roll (or Sheet)	Weight per Case (lbs)	Description	Extended Description
PPL4060PDPF00020	4.0	6.0	2	2000	24.00	Fanfold, 2LPP, 1 Across	4" X 6" DIRECT THERMAL PREMIUM FANFOLD

## DIRECT THERMAL - MOBILE MEDIA 3/4" CORES

Uncoated medium sensitivity sheet, permanent acrylic adhesive, black sensor mark on liner

PPL Part Number	W (in)	L (in)	Rolls Per Case	Labels/Roll (or Sheet)	Weight per Case (lbs)	Description	Extended Description
PPL3010PDSR02360	3.0	1.0	36	650	20.00	Roll, Perf, 1 Across, 0.75" Core, 2.4" OD	3" X 1" DIRECT THERMAL STANDARD W/ BLACK SENSOR BAR
PPL3020PDSR02360	3.0	2.0	36	345	18.00	Roll, Perf, 1 Across, 0.75" Core, 2.4" OD	3" X 2" DIRECT THERMAL STANDARD W/ BLACK SENSOR BAR
PPL4020PDSR02360	4.0	2.0	36	300	25.00	Roll, Perf, 1 Across, 0.75" Core, 2.4" OD	4" X 2" DIRECT THERMAL STANDARD W/ BLACK SENSOR BAR
PPL4030PDSR02360	4.0	3.0	36	200	25.00	Roll, Perf, 1 Across, 0.75" Core, 2.4" OD	4" X 3" DIRECT THERMAL STANDARD W/ BLACK SENSOR BAR
PPL4060PDSR08360	4.0	6.0	36	105	25.00	Roll, Perf, 1 Across, 0.75" Core, 2.4" OD	4" X 6" DIRECT THERMAL STANDARD W/ BLACK SENSOR BAR

## DIRECT THERMAL - MOBILE MEDIA 1" CORES

Uncoated medium sensitivity sheet, permanent acrylic adhesive

PPL Part Number	W (in)	L (in)	Rolls Per Case	Labels/Roll (or Sheet)	Weight per Case (lbs)	Description	Extended Description
PPL2212PDSR14120	2.25	1.25	12	1000	11.00	Roll, Perf, 1 Across, 1" Core, 4" OD	2.25" X 1.25" DIRECT THERMAL STANDARD
PPL3010PDSR14160	3.0	1.0	16	1500	20.00	Roll, Perf, 1 Across, 1" Core, 4" OD	3" X 1" DIRECT THERMAL STANDARD
PPL3020PDSR14320	3.0	2.0	32	750	35.00	Roll, Perf, 1 Across, 1" Core, 4" OD	3" X 2" DIRECT THERMAL STANDARD
PPL4020PDSR14160	4.0	2.0	16	750	24.00	Roll, Perf, 1 Across, 1" Core, 4" OD	4" X 2" DIRECT THERMAL STANDARD
PPL4030PDSR14160	4.0	3.0	16	500	24.00	Roll, Perf, 1 Across, 1" Core, 4" OD	4" X 3" DIRECT THERMAL STANDARD
PPL4040PDSR15080	4.0	4.0	8	750	24.00	Roll, Perf, 1 Across, 1" Core, 5" OD	4" X 4" DIRECT THERMAL STANDARD
PPL4060PDSR15080	4.0	6.0	8	475	24.00	Roll, Perf, 1 Across, 1" Core, 5" OD	4" X 6" DIRECT THERMAL STANDARD
PPL4060PDSR14160	4.0	6.0	16	250	24.00	Roll, Perf, 1 Across, 1" Core, 4" OD	4" X 6" DIRECT THERMAL STANDARD
PPL4065PDSR14160	4.0	6.5	16	250	24.00	Roll, Perf, 1 Across, 1" Core, 4" OD	4" X 6.5" DIRECT THERMAL STANDARD

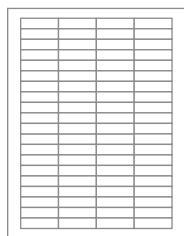
 Top Sellers

# LASER SHEETS

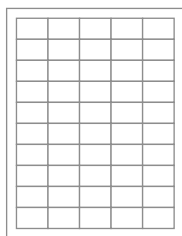
54# uncoated bright white layflat sheet, permanent acrylic adhesive

PPL Part Number	W (in)	L (in)	Rolls Per Case	Labels/Roll (or Sheet)	Weight per Case (lbs)	Description	Extended Description
PPL1510NLSS00000	1.5	1.0		50	25.00	Sheet (50 Up)	MICROSOFT® WORD™ TEMPLATE, 8.5" X 11" LASER SHEET
PPL1805NLSS00000	1.8	0.5		80	25.00	Sheet (80 Up)	AVERY® 5167 TEMPLATE, 8.5" X 11" LASER SHEET
PPL2610NLSS00000	2.6	1.0		30	25.00	Sheet (30 Up)	AVERY® 5160 TEMPLATE, 8.5" X 11" LASER SHEET
PPL4010NLSS00000	4.0	1.0		20	25.00	Sheet (20 Up)	AVERY® 5161 TEMPLATE, 8.5" X 11" LASER SHEET
PPL4013NLSS00000	4.0	1.33		14	25.00	Sheet (14 Up)	AVERY® 5162 TEMPLATE, 8.5" X 11" LASER SHEET
PPL4020NLSS00000	4.0	2.0		10	25.00	Sheet (10 Up)	AVERY® 5163 TEMPLATE, 8.5" X 11" LASER SHEET
PPL4033NLSS00000	4.0	3.33		6	25.00	Sheet (6 Up)	AVERY® 5164 TEMPLATE, 8.5" X 11" LASER SHEET
PPL4060NLSS00000	4.0	6.0		4	30.00	Sheet (4 Up)	MICROSOFT® WORD™ TEMPLATE, 8.5" X 14" LASER SHEET
PPL4227NLSS00000	4.25	2.75		8	25.00	Sheet (8 Up)	MICROSOFT® WORD™ TEMPLATE, 8.5" X 11" LASER SHEET
PPL4255NLSS00000	4.25	5.5		4	25.00	Sheet (4 Up)	MICROSOFT® WORD™ TEMPLATE, 8.5" X 11" LASER SHEET
PPL4270NLSS00000	4.25	7.0		4	30.00	Sheet (4 Up)	MICROSOFT® WORD™ TEMPLATE, 8.5" X 14" LASER SHEET
PPL8536NLSS00000	8.5	3.66		3	25.00	Sheet (3 Up)	MICROSOFT® WORD™ TEMPLATE, 8.5" X 11" LASER SHEET
PPL8555NLSS00000	8.5	5.5		2	25.00	Sheet (2 Up)	AVERY® 5126 TEMPLATE, 8.5" X 11" LASER SHEET
PPL85X1NLSS00000	8.5	11.0		1	25.00	Sheet (1 Up)	AVERY 5165 TEMPLATE, 8.5" X 11" LASER SHEET W/ 2 HORIZONTAL BACK SLITS

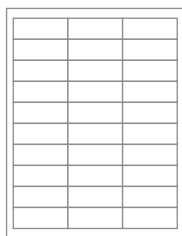
BLANK LASER SHEETS ARE CONSTRUCTED WITH A 50 LB PREMIUM BRIGHT WHITE FACE AND 50 LB LINER WITH A PERMANENT ADHESIVE. LASER PRODUCTS ARE PACKAGED IN 4 - 250 SHEET PACKS WITH 1,000 SHEETS PER CASE.



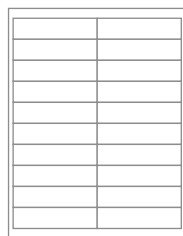
**PPL1805NLSS00000**  
1.75" X 0.5" (80UP)



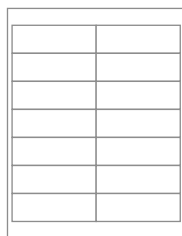
**PPL1510NLSS00000**  
1.5" X 1.0" (50UP)



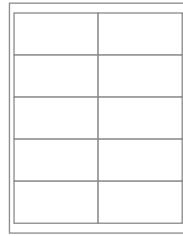
**PPL2610NLSS00000**  
2.625" X 1.0" (30UP)



**PPL4010NLSS00000**  
4.0" X 1.0" (20UP)



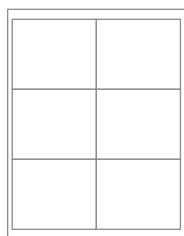
**PPL4013NLSS00000**  
4.0" X 1.33" (14UP)



**PPL4013NLSS00000**  
4.0" X 2.0" (10UP)



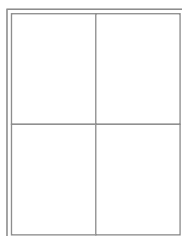
**PPL4227NLSS00000**  
4.25" X 2.75" (8UP)



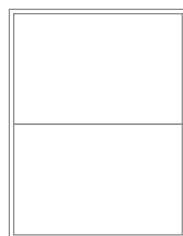
**PPL4033NLSS00000**  
4.0" X 3.33" (6UP)



**PPL8536NLSS00000**  
8.5" X 3.66" (3UP)



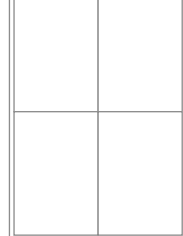
**PPL4255NLSS00000**  
4.25" X 5.5" (4UP)



**PPL4010NLSS00000**  
8.5" X 5.5" (2UP)



**PPL85X1NLSS00000**  
8.5" X 11" (1UP)



**PPL4060NLSS00000**  
4.0" X 6.0" (4UP)



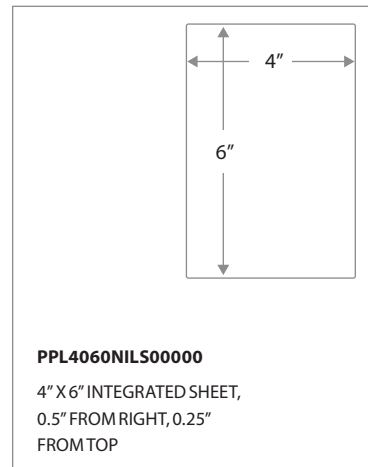
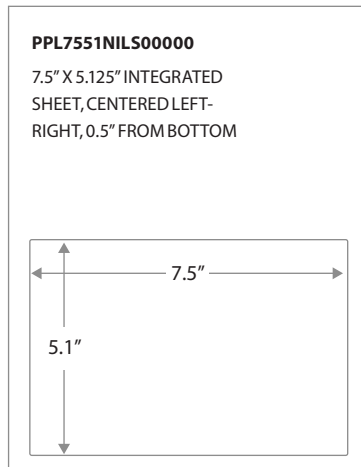
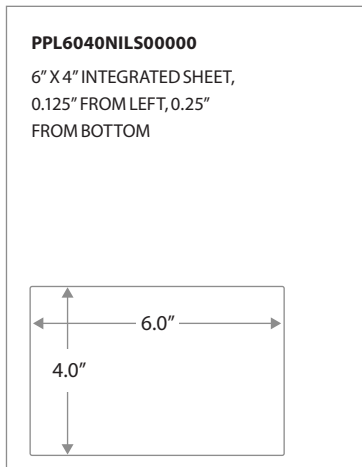
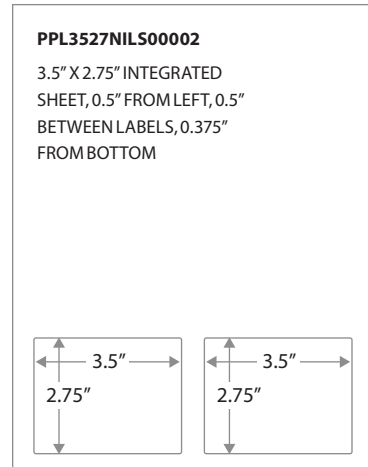
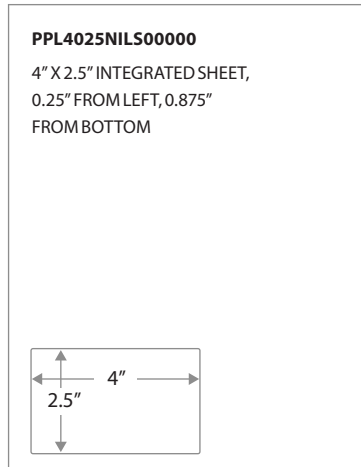
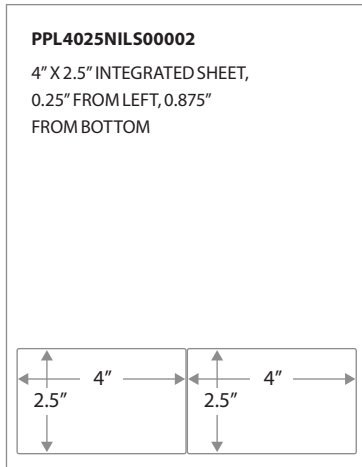
**PPL4270NLSS00000**  
4.25" X 7.0" (10UP)

# INTEGRATED SHEETS

24# bright white bond sheet, general purpose permanent adhesive

PPL Part Number	W (in)	L (in)	Rolls Per Case	Labels/Roll (or Sheet)	Weight per Case (lbs)	Description	Extended Description
PPL3527NILS00002	3.5	2.75			23.00	Sheet, 2 Across	3.5" X 2.75" INTEGRATED SHEET, 0.5" FROM LEFT, 0.5" BETWEEN LABELS, 0.375" FROM BOTTOM
PPL4025NILS00002	4.0	2.5			23.00	Sheet, 2 Across	4" X 2.5" INTEGRATED SHEET, 0.25" FROM LEFT, 0.875" FROM BOTTOM
PPL4025NILS00000	4.0	2.5			23.00	Sheet, 1 Across	4" X 2.5" INTEGRATED SHEET, 0.25" FROM LEFT, 0.875" FROM BOTTOM
PPL4060NILS00000	4.0	6.0			27.00	Sheet, 1 Across	4" X 6" INTEGRATED SHEET, 0.5" FROM RIGHT, 0.25" FROM TOP
PPL6040NILS00000	6.0	4.0			25.00	Sheet, Perf 4.625" from Bottom, 1 Across	6" X 4" INTEGRATED SHEET, 0.125" FROM LEFT, 0.25" FROM BOTTOM
PPL7551NILS00000	7.5	5.100			26.00	Sheet, 1 Across	7.5" X 5.125" INTEGRATED SHEET, CENTERED LEFT-RIGHT, 0.5" FROM BOTTOM

GENERAL PURPOSE PERMANENT ADHESIVE. BULK PACKED 1,500 SHEETS / CASE 24 LB. WHITE BOND PAPER WITH 2.5 MIL LINER, 8.5 X 11 PAPER SIZE.



## PERFORMANCE GENERAL PURPOSE WAX

Specially formulated to print at a wide range of energy and speed settings, the Performance General Purpose Wax provides an economical solution for everyday thermal transfer printing. It incorporates proven backcoat technology to protect your printhead. This wax product features a blend of ingredients that are combined in an ink that prints dark images and crisp, clean barcodes.

PPB/PFB Part Number	Printer Type	Ribbon Formulation	W (in)	L (ft)	W (mm)	L (m)	Ink IN/OUT	Rolls Per Case	Weight per Case (lbs)
PFB040360GP-01	Datamax	Performance General Purpose Wax	1.57	1181	40	360	IN	24	8.48
PFB064360GP-01	Datamax	Performance General Purpose Wax	2.52	1181	64	360	IN	24	13.57
PFB080360GP-01	Datamax	Performance General Purpose Wax	3.15	1181	80	360	IN	24	16.96
PFB089360GP-01	Datamax	Performance General Purpose Wax	3.5	1181	89	360	IN	24	18.87
PFB102360GP-01	Datamax	Performance General Purpose Wax	4	1181	101.6	360	IN	24	20.95
PFB110360GP-01	Datamax	Performance General Purpose Wax	4.33	1181	110	360	IN	24	23.32
PFB130360GP-01	Datamax	Performance General Purpose Wax	5.12	1181	130	360	IN	24	27.56
PFB165360GP-01	Datamax	Performance General Purpose Wax	6.5	1181	165.1	360	IN	12	17.5
PFB080450GP-01D	Datamax 600/800	Performance General Purpose Wax	3.15	1476	80	450	IN	24	20.89
PFB110450GP-01D	Datamax 600/800	Performance General Purpose Wax	4.33	1476	110	450	IN	24	27.7
PFB114360GP-01	Datamax 600/800	Performance General Purpose Wax	4.5	1181	114.3	360	IN	24	24.23
PFB104305GP-01	Intermec 4000 / 4100	Performance General Purpose Wax	4.09	1001	104	305	IN	24	18.92
PFB095625GP-01	Printronix T5000	Performance General Purpose Wax	3.74	2051	95	625	OUT	24	33.89
PFB110625GP-01	Printronix T5000	Performance General Purpose Wax	4.33	2051	110	625	OUT	24	39.24
PFB053410GP-01	Sato	Performance General Purpose Wax	2.09	1345	53	410	IN	24	12.68
PFB076410GP-01	Sato	Performance General Purpose Wax	3	1345	76.2	410	IN	24	18.23
PFB089410GP-01	Sato	Performance General Purpose Wax	3.5	1345	89	410	IN	24	21.3
PFB102410GP-01	Sato	Performance General Purpose Wax	4	1345	101.6	410	IN	24	24.31
PFB110410GP-01	Sato	Performance General Purpose Wax	4.33	1345	110	410	IN	24	26.32
PFB130410GP-01	Sato	Performance General Purpose Wax	5.12	1345	130	410	IN	24	31.11
PFB152410GP-01	Sato	Performance General Purpose Wax	6	1345	152.4	410	IN	12	18.23
PFB165410GP-01	Sato	Performance General Purpose Wax	6.5	1345	165.1	410	IN	12	19.75
PFB104450GP-01	Sato TG3	Performance General Purpose Wax	4.09	1476	104	450	OUT	24	27.16
PFB040450GP-01	Zebra	Performance General Purpose Wax	1.57	1476	40	450	OUT	48	20.89
PFB053450GP-01	Zebra	Performance General Purpose Wax	2.09	1476	53	450	OUT	24	13.84
PFB060450GP-01	Zebra	Performance General Purpose Wax	2.36	1476	60	450	OUT	24	15.67
PFB080450GP-01Z	Zebra	Performance General Purpose Wax	3.15	1476	80	450	OUT	24	21.14
PFB083450GP-01	Zebra	Performance General Purpose Wax	3.27	1476	83	450	OUT	24	21.67
PFB102450GP-01	Zebra	Performance General Purpose Wax	4	1476	101.6	450	OUT	24	25.80
PFB106450GP-01	Zebra	Performance General Purpose Wax	4.17	1476	106	450	OUT	24	27.68
PFB110450GP-01	Zebra	Performance General Purpose Wax	4.33	1476	110	450	OUT	24	28.73
PFB114450GP-01	Zebra	Performance General Purpose Wax	4.5	1476	114.3	450	OUT	24	29.85
PFB130450GP-01	Zebra	Performance General Purpose Wax	5.12	1476	130	450	OUT	24	33.95
PFB152450GP-01	Zebra	Performance General Purpose Wax	6	1476	152.4	450	OUT	12	19.90
PFB156450MP-01	Zebra	Performance General Purpose Wax	6.14	1476	156	450	OUT	MTO	20.37
PFB156450MP-01	Zebra	Performance General Purpose Wax	6.14	1476	156	450	OUT	12	20.37

## PERFORMANCE GENERAL PURPOSE WAX (CONT.)

Specially formulated to print at a wide range of energy and speed settings, the Performance General Purpose Wax provides an economical solution for everyday thermal transfer printing. It incorporates proven backcoat technology to protect your printhead. This wax product features a blend of ingredients that are combined in an ink that prints dark images and crisp, clean barcodes.

PPB/PFB Part Number	Printer Type	Ribbon Formulation	W (in)	L (ft)	W (mm)	L (m)	Ink IN/OUT	Rolls Per Case	Weight per Case (lbs)
PFB165450GP-01	Zebra	Performance General Purpose Wax	6.5	1476	165.1	450	OUT	12	21.56
PFB220450GP-01	Zebra	Performance General Purpose Wax	8.66	1476	220	450	OUT	12	28.73

## PERFORMANCE GENERAL PURPOSE PREMIUM WAX

The Performance General Purpose Premium Wax dissipates static and is versatile enough to print on a wide variety of labelstocks. No other resin enhanced wax product beats Performance General Purpose Premium Wax when it comes to edge definition for crisp, rotated barcodes and dark, durable images.

PPB/PFB Part Number	Printer Type	Ribbon Formulation	W (in)	L (ft)	W (mm)	L (m)	Ink IN/OUT	Rolls Per Case	Weight per Case (lbs)
PPB060360GP-04-6	Datamax	Performance General Purpose Premium Wax	2.36	1181	60	360	IN	6	2.94
PPB083360GP-04-6	Datamax	Performance General Purpose Premium Wax	3.26	1181	83	360	IN	6	4.55
PPB110360GP-04	Datamax	Performance General Purpose Premium Wax	4.33	1181	110	360	IN	24	21.58
PPB110360GP-04-6	Datamax	Performance General Purpose Premium Wax	4.33	1181	110	360	IN	6	5.66
PPB114360GP-04-6	Datamax	Performance General Purpose Premium Wax	4.5	1181	114.3	360	IN	6	6.05
PPB220360GP-04	Datamax 800	Performance General Purpose Premium Wax	8.66	1181	220	360	IN	12	21.58
PPB110110GP-04-12	Datamax Ovation	Performance General Purpose Premium Wax	4.33	360	110	110	IN	12	3.90
PPB104153GP-02-6	Intermec 3400 / 8646	Performance General Purpose Premium Wax	4.09	508	104	155	OUT	6	2.90
PPB104153GP-02	Intermec 3400 / 8646	Performance General Purpose Premium Wax	4.09	508	104	155	OUT	24	9.62
PPB130153GP-02	Intermec 3600	Performance General Purpose Premium Wax	5.11	501	130	153	OUT	24	11.90
PPB106457GP-02A-6	Intermec 4400	Performance General Purpose Premium Wax	4.17	1499	106	457	OUT	6	6.50
PPB110600GP-11-6	Monarch 9800/20/25/30/50	Performance General Purpose Premium Wax	4.33	1968	110	600	OUT	6	10.00
PPB083625GP-03	Printronix T5000	Performance General Purpose Premium Wax	3.27	2051	83	625	OUT	36	44.41
PPB110625GP-03	Printronix T5000	Performance General Purpose Premium Wax	4.33	2050	110	625	OUT	24	36.32
PPB165625GP-03	Printronix T5000	Performance General Purpose Premium Wax	6.5	2050	165.1	625	OUT	12	27.26
PPB220625GP-03	Printronix T5000	Performance General Purpose Premium Wax	8.66	2050	220	625	OUT	6	18.16
PPB060410GP-05	Sato	Performance General Purpose Premium Wax	2.36	1345	60	410	IN	36	19.93
PPB080410GP-05-6	Sato	Performance General Purpose Premium Wax	3.14	1345	80	410	IN	6	4.43
PPB089410GP-05	Sato	Performance General Purpose Premium Wax	3.5	1345	89	410	IN	24	19.71
PPB102410GP-05	Sato	Performance General Purpose Premium Wax	4	1345	101.6	410	IN	24	24.20
PPB110410GP-05-6	Sato	Performance General Purpose Premium Wax	4.33	1345	110	410	IN	6	6.55

## PERFORMANCE GENERAL PURPOSE PREMIUM WAX (CONT.)

The Performance General Purpose Premium Wax dissipates static and is versatile enough to print on a wide variety of labelstocks. No other resin enhanced wax product beats Performance General Purpose Premium Wax when it comes to edge definition for crisp, rotated barcodes and dark, durable images.

PPB/PFB Part Number	Printer Type	Ribbon Formulation	W (in)	L (ft)	W (mm)	L (m)	Ink IN/OUT	Rolls Per Case	Weight per Case (lbs)
PPB040450GP-01	Zebra	Performance General Purpose Premium Wax	1.57	1476	40	450	OUT	6	3.00
PPB060450GP-01	Zebra	Performance General Purpose Premium Wax	2.36	1476	60	450	OUT	36	21.75
PPB060450GP-01-6	Zebra	Performance General Purpose Premium Wax	2.36	1476	60	450	OUT	6	4.40
PPB070450GP-01	Zebra	Performance General Purpose Premium Wax	2.79	1476	71	450	OUT	36	25.74
PPB076300GP-01	Zebra	Performance General Purpose Premium Wax	3	984	76.2	300	OUT	36	18.96
PPB080450GP-01	Zebra	Performance General Purpose Premium Wax	3.14	1476	80	450	OUT	24	21.25
PPB083450GP-01-6	Zebra	Performance General Purpose Premium Wax	3.26	1476	83	450	OUT	6	5.01
PPB083450GPP-01-6	Zebra	Performance General Purpose Premium Wax	3.27	1476	83	450	OUT	6	5.01
PPB083450GP-01	Zebra	Performance General Purpose Premium Wax	3.26	1476	83	450	OUT	24	20.06
PPB089450GP-01	Zebra	Performance General Purpose Premium Wax	3.5	1476	89	450	OUT	24	21.51
PPB089450GP-01-6	Zebra	Performance General Purpose Premium Wax	3.5	1476	89	450	OUT	6	5.85
PPB102450GP-01-6	Zebra	Performance General Purpose Premium Wax	4	1476	101.6	450	OUT	6	6.70
PPB102450GP-01	Zebra	Performance General Purpose Premium Wax	4	1476	101.6	450	OUT	24	27.00
PPB106450G-01	Zebra	Performance General Purpose Premium Wax	4.17	1476	106	450	OUT	24	25.62
PPB110450GP-01	Zebra	Performance General Purpose Premium Wax	4.33	1476	110	450	OUT	24	26.59
PPB110450GP-01-6	Zebra	Performance General Purpose Premium Wax	4.33	1476	110	450	OUT	6	7.40
PPB130450GP-01	Zebra	Performance General Purpose Premium Wax	5.11	1476	130	450	OUT	24	33.60
PPB130450GP-01-6	Zebra	Performance General Purpose Premium Wax	5.11	1476	130	450	OUT	6	7.85
PPB156450GP-01	Zebra	Performance General Purpose Premium Wax	6.14	1476	156	450	OUT	12	18.85
PPB156900GP-01	Zebra	Performance General Purpose Premium Wax	6.14	2952	156	900	OUT	12	36.60
PPB165450GP-01	Zebra	Performance General Purpose Premium Wax	6.5	1476	165.1	450	OUT	12	19.95
PPB216450GP-01	Zebra	Performance General Purpose Premium Wax	8.5	1476	216	450	OUT	12	26.10
PPB220450GP-01	Zebra	Performance General Purpose Premium Wax	8.66	1476	220	450	OUT	12	28.10
PPB220450GPP-01	Zebra	Performance General Purpose Premium Wax	8.66	1476	220	450	OUT	12	26.59
PPB110900GP-01	Zebra 170/172PAX	Performance General Purpose Premium Wax	4.33	2952	110	900	OUT	12	25.81
PPB064074GP-01-12	Zebra TLP2844 *	Performance General Purpose Premium Wax	2.5	242	63.5	74	OUT	12	1.64
PPB110074GP-01-12	Zebra TLP2844 *	Performance General Purpose Premium Wax	4.33	242	110	74	OUT	12	3.00
PPB250242GP-00-36	Zebra GK/GX 1/2" †	Performance General Purpose Premium Wax	2.5	242	63.5	74	OUT	36	6.00
PPB433242GP-00-12	Zebra GK/GX 1/2" †	Performance General Purpose Premium Wax	4.33	242	110	74	OUT	12	3.00
PPB110091GP-01-12	Zebra/Eltron TLP2242	Performance General Purpose Premium Wax	4.33	298	110	91	OUT	12	3.55

\*FOR USE WITH ZEBRA TLP2844 SERIES ONLY (NO LEADER) †FOR USE WITH ZEBRA GK/GX SERIES ONLY (SILVER LEADER)

## PERFORMANCE GENERAL PURPOSE PREMIUM COLOR WAX

Based on our proven wax technology, these quality ribbons expand your color possibilities while providing excellent print clarity and high smudge resistance when black just isn't enough. Performance General Purpose Premium Colors are also specially formulated with our backcoat technology for printhead protection.

PPB/PFB Part Number	Printer Type	Ribbon Formulation	W (in)	L (ft)	W (mm)	L (m)	Ink IN/OUT	Rolls Per Case	Weight per Case (lbs)
PPB110360GU-04-6	Datamax	Performance General Purpose Premium BLUE Wax	4.33	1181	110	360	IN	6	6.30
PPB110210GU-05-6	Sato	Performance General Purpose Premium BLUE Wax	4.33	688	110	210	IN	6	3.46
PPB076300GU-01-6	Zebra	Performance General Purpose Premium BLUE Wax	3	984	76.2	300	OUT	6	3.90
PPB110300GU-01-6	Zebra	Performance General Purpose Premium BLUE Wax	4.33	984	110	300	OUT	6	5.40
PPB110360GR-04-6	Datamax	Performance General Purpose Premium GREEN Wax	4.33	1181	110	360	IN	6	5.65
PPB110210GR-05-6	Sato	Performance General Purpose Premium GREEN Wax	4.33	688	110	210	IN	6	3.46
PPB110300GR-01-6	Zebra	Performance General Purpose Premium GREEN Wax	4.33	984	110	300	OUT	6	4.77
PPB110360GE-04-6	Datamax	Performance General Purpose Premium RED Wax	4.33	1181	110	360	IN	6	5.65
PPB110210GE-05-6	Sato	Performance General Purpose Premium RED Wax	4.33	688	110	210	IN	6	3.46
PPB076300GE-01-6	Zebra	Performance General Purpose Premium RED Wax	3	984	76.2	300	OUT	6	3.30
PPB110300GE-01-6	Zebra	Performance General Purpose Premium RED Wax	4.33	984	110	300	OUT	6	5.30

## PERFORMANCE PREMIUM WAX-RESIN

Performance Premium Wax-Resin prints on a broad range of labelstocks, providing abrasion resistance and print sensitivity. This ribbon is perfect for printing long-lasting images on coated tags, uncoated tags and glossy print media. Performance Premium Wax-Resin is designed with our specially formulated backcoat technology for printhead protection, as well as our exclusive anti-static properties for easier handling. It also prints at speeds up to 12 IPS, utilizing less print energy than competing wax-resin ribbons.

PPB/PFB Part Number	Printer Type	Ribbon Formulation	W (in)	L (ft)	W (mm)	L (m)	Ink IN/OUT	Rolls Per Case	Weight per Case (lbs)
PPB104153PR-02	Intermec 3400 / 8646	Performance Premium Wax-Resin	4.09	508	104	155	OUT	24	10.55
PPB083450PR-01	Zebra	Performance Premium Wax-Resin	3.26	1476	83	450	OUT	36	27.96
PPB110450PR-01	Zebra	Performance Premium Wax-Resin	4.33	1476	110	450	OUT	24	28.00
PPB110450PR-01-6	Zebra	Performance Premium Wax-Resin	4.33	1476	110	450	OUT	6	7.00
PPB154450PR-01	Zebra	Performance Premium Wax-Resin	6.06	1476	154	450	OUT	12	19.15
PPB154780PR-01	Zebra	Performance Premium Wax-Resin	6.06	2559	154	780	OUT	9	21.88
PPB174450PR-01	Zebra	Performance Premium Wax-Resin	6.85	1476	174	450	OUT	12	19.54

Top Sellers



## PERFORMANCE PREMIUM NEAR EDGE COLOR WAX/RESIN

The Performance Premium Near Edge Wax-Resin Colors print at speeds up to 20 IPS, making them ideal for flexible packaging applications where speed is critical in the manufacturing process. With our exclusive backcoat technology and anti-static properties for maximum printhead protection, it offers durability and clear images for thermal transfer overprinting on prime retail packaging applications. Available in silver and bright white, these are widely acknowledged for opacity, which provides dramatically visible printed images onto multi-colored prime retail packages.

PPB/PFB Part Number	Printer Type	Ribbon Formulation	W (in)	L (ft)	W (mm)	L (m)	Ink IN/OUT	Rolls Per Case	Weight per Case (lbs)
PPBMARKEM30/450SLV-A	Markem Smart Date 2	Performance Premium Near Edge SILVER Wax/Resin	1.18	1476	30	450	IN	25	7.85

## PERFORMANCE ULTRA PREMIUM WAX-RESIN

Performance Ultra Premium Wax-Resin is designed to print on a wide variety of receiving materials, including coated and uncoated paper labels and tags, varnished label stock and films. It offers excellent barcode scanning with sharp, reliable images at a wide variety of printing speeds. It is also an extremely versatile, all-purpose wax/resin that will out-perform other ribbons in extreme environments, thanks to its powerful resistance against smearing and chemicals.

PPB/PFB Part Number	Printer Type	Ribbon Formulation	W (in)	L (ft)	W (mm)	L (m)	Ink IN/OUT	Rolls Per Case	Weight per Case (lbs)
PPB110360PP-04-6	Datamax	Performance Ultra Premium Wax-Resin	4.33	1181	110	360	IN	6	6.15
PPB110410PP-05-6	Sato	Performance Ultra Premium Wax-Resin	4.33	1345	110	410	IN	6	5.95
PPB064450PP-01-6	Zebra	Performance Ultra Premium Wax-Resin	2.51	1476	64	450	OUT	6	5.00
PPB110450PP-01-6	Zebra	Performance Ultra Premium Wax-Resin	4.33	1476	110	450	OUT	6	7.90
PPB110450GPP-01	Zebra	Performance Ultra Premium Wax-Resin	4.33	1476	110	450	OUT	24	26.59

## PERFORMANCE ULTRA PREMIUM RESIN

Performance Ultra Premium Resin has extensive label adaptability and high print speed capability make it the most diverse resin of its kind. It outperforms the competition in abrasion and solvent resistance, uses less print energy and is designed with our anti-static and backcoat properties to protect and extend the life of printheads. And, like all of our ribbons, it is an industry leader in edge definition, producing dark, dense images for improved scan rates.

PPB/PFB Part Number	Printer Type	Ribbon Formulation	W (in)	L (ft)	W (mm)	L (m)	Ink IN/OUT	Rolls Per Case	Weight per Case (lbs)
PPB076360UP-04-6	Datamax	Performance Ultra Premium Resin	3	1181	76.2	360	IN	6	2.78
PPB104153UP-02	Intermec 3400 / 8646	Performance Ultra Premium Resin	4.09	501	104	153	OUT	24	7.31
PPB060450UP-01-6	Zebra	Performance Ultra Premium Resin	2.36	1476	60	450	OUT	6	2.69
PPB060450UP-01-12	Zebra	Performance Ultra Premium Resin	2.36	1476	60	450	OUT	12	8.15
PPB060450UP-01	Zebra	Performance Ultra Premium Resin	2.36	1476	60	450	OUT	36	19.00
PPB080450UP-01-6	Zebra	Performance Ultra Premium Resin	3.14	1476	80	450	OUT	6	4.50
PPB083450UP-01	Zebra	Performance Ultra Premium Resin	3.26	1476	83	450	OUT	36	22.30
PPB110450UP-01	Zebra	Performance Ultra Premium Resin	4.33	1476	110	450	OUT	24	19.70
PPB110450UP-01-6	Zebra	Performance Ultra Premium Resin	4.33	1476	110	450	OUT	6	6.05

## PERFORMANCE ULTRA EXTREME RESIN

Performance Ultra Extreme is one of the toughest resin ribbons on the market. It's the only halogen-free resin ribbon capable of handling extreme environmental labeling with our unmatched scratch and solvent resistance. Designed with our anti-static and backcoat properties to protect the printhead, it has unbeatable edge definition for crisp, extremely durable, and dense barcodes for harsh environments.

PPB/PFB Part Number	Printer Type	Ribbon Formulation	W (in)	L (ft)	W (mm)	L (m)	Ink IN/OUT	Rolls Per Case	Weight per Case (lbs)
PPB110450UX-01-6	Zebra	Performance Ultra Extreme Resin	4.33	1476	110	450	OUT	6	6.50

### About Peak Technologies

Peak Technologies provides end-to-end enterprise mobility, retail, managed services, printing, and mobile data capture solutions for performance-driven organizations focused on the optimization of supply chain and field-based business processes. Peak Technologies's in-depth industry-specific experience, state-of-the-art solutions and managed services, and exemplary customer support provide transformational business solutions and results that deliver greater ROI and outstanding value. Peak Technologies serves as a trusted business partner for some of the world's largest companies, while also supporting local and regional customers with an extensive coverage footprint throughout North America and Europe.

For more information on Peak Technologies, visit [www.peaktech.com](http://www.peaktech.com).

**Peak Technologies, Inc.**

10330 Old Columbia Road, Columbia, Maryland 21046  
 Tel: 800-290-2531 | [info@peaktech.com](mailto:info@peaktech.com) | [www.peaktech.com](http://www.peaktech.com)